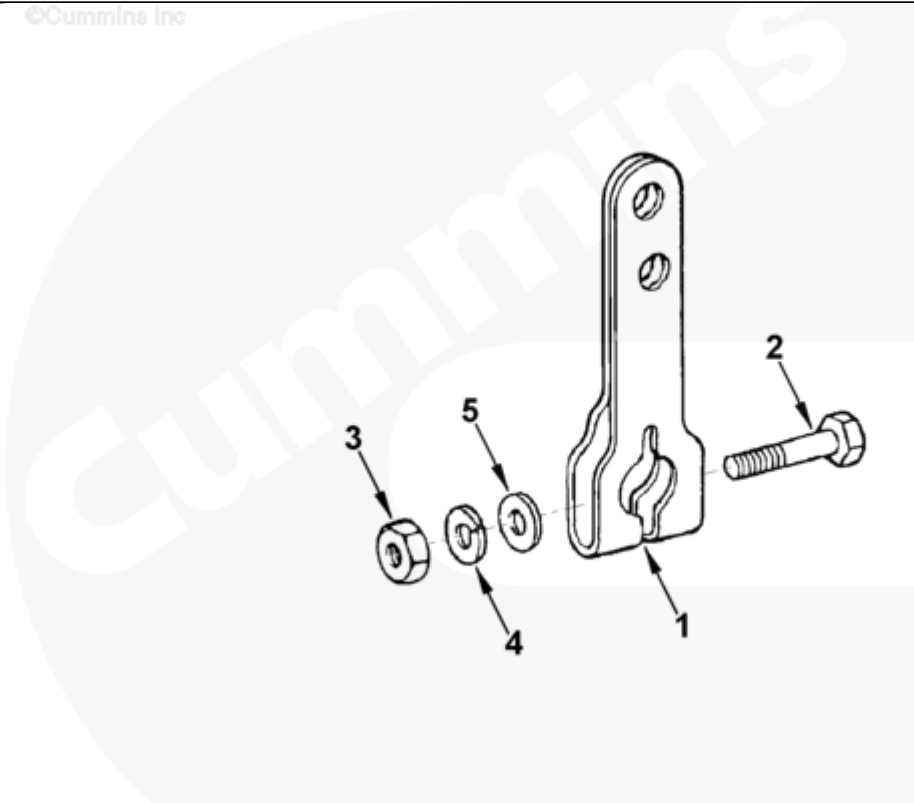




Parts Catalog - Option Detail

Electronic Parts Catalog - Option Detail				
Option	Group	Graphic	Film Card	Date
TL8007	05.02	tl600gc	K38	15-JUN-97
Engines	GTA38, K38, KTA38GC CM558, QSK38 CM2150 K106, QSK38 CM2150 MCRS, QSK38 CM850 MCRS			

©Cummins Inc



tl600gc

[SMALL](#) | [MEDIUM](#) | [LARGE](#)

Cart	Ref No	Part Number	Part Description	Required	Remarks
View My Cart					
		TL8007	Throttle Lever		Two hole rigid type throttle...(More)
					lever with 0.34 inch diameter
					with 4.00 and 5.00 centers.
					Variable speed type.
<input type="checkbox"/>	1	110481	Throttle Lever	1	
<input type="checkbox"/>	2	S 159 B	Hexagon Head Cap Screw	1	1/4 - 28 x 1 1/2 in.
<input type="checkbox"/>	3	S 270	Regular Hexagon Nut	1	1/4 - 28 UNF.

<input type="checkbox"/>	4	S 600	Lock Washer	1	1/4 in.
<input type="checkbox"/>	5	70704	Plain Washer	1	1/4 in.

© 2019 Cummins Inc., Box 3005, Columbus, IN 47202-3005 U.S.A.
Terms of Use and Disclaimers | Recommended System Requirements
Need Assistance? Please click on the Contact Us button in the top right corner of any page.